



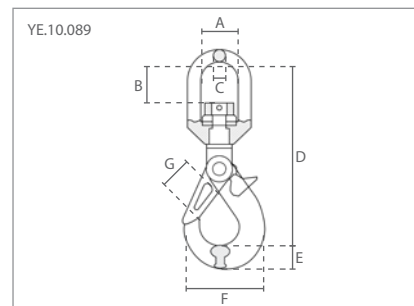
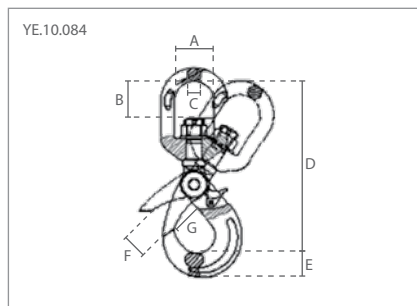
Grade 100 Toebehoren / Grade 100 Accessories

12. Veiligheids wartelhaken / Self-locking swivel hooks
13. Veiligheids wartelhaken met lager / Self-locking swivel hooks with bearing

onbelast wartelen / swivel without load



belast wartelen / swivel with load



12 Specificaties / Specifications			Afmetingen / Dimensions (mm)						
Artikel nummer	Capaciteit / Capacity	Gewicht / Weight	A	B	C	D	E	F	G
Article code	ton	kg							
YE.10.084.06	1.40	0.6	33	26	12	153	19	32	28
YE.10.084.08	2.50	1.1	36	29	13	188	25	40	36
YE.10.084.10	4.00	2.0	42	35	16	226	27	46	45
YE.10.084.13	6.70	4.0	50	41	17	270	40	66	54
YE.10.084.16	10.00	6.8	70	58	22	342	49	75	61
YE.10.084.20	16.00	12.5	72	63	26	373	61	80	77
YE.10.084.22	19.00	17.1	97	96	33	468	65	104	76

13 Specificaties / Specifications			Afmetingen / Dimensions (mm)						
Artikel nummer	Capaciteit / Capacity	Gewicht / Weight	A	B	C	D	E	F	G
Article code	ton	kg							
YE.10.089.06	1.40	0.7	37	32	13	163	19	70	27
YE.10.089.08	2.50	1.2	41	39	15	202	25	90	36
YE.10.089.10	4.00	2.2	48	48	18	244	27	108	45
YE.10.089.13	6.70	4.4	55	57	19	292	41	138	53
YE.10.089.16	10.00	7.5	62	62	26	346	49	170	62
YE.10.089.20	16.00	13.8	76	72	29	396	64	191	76