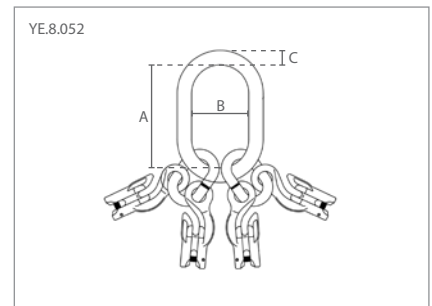
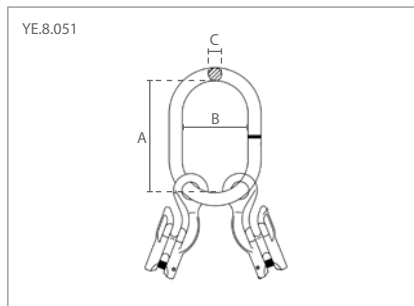
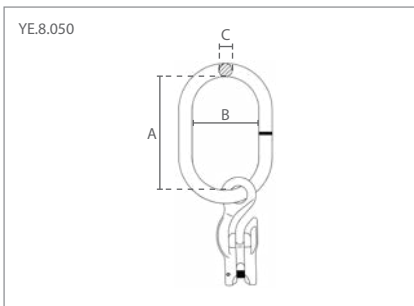




Grade 80 Toebehoren volgens EN 1677 / Grade 80 Accessories according to EN 1677

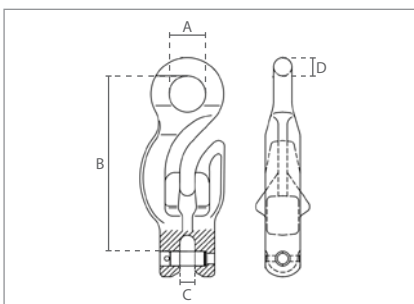
- 4. Topschalmen met inkorthaak / Master links with grab hook
- 5. Topschalmen met inkorthaken / Master links with grab hooks
- 6. Topschalmen met inkorthaken / Master links with grab hooks



4 Specificaties / Specifications				Afmetingen / Dimensions (mm)		
Artikel nummer	Capaciteit / Capacity	Gewicht / Weight	Markering	A	B	C
Article code	ton	kg	Marking			
YE.8.050.06	1.12	0.7	G8 050-06	110	60	13
YE.8.050.08	2.00	1.1	G8 050-08	120	70	14
YE.8.050.10	3.15	2.1	G8 050-10	140	80	17
YE.8.050.13	5.30	3.9	G8 050-13	160	95	22
YE.8.050.16	8.00	6.8	G8 050-16	190	110	25
YE.8.050.20	12.50	13.5	G8 050-20	230	130	32

5 Specificaties / Specifications				Afmetingen / Dimensions (mm)		
Artikel nummer	Capaciteit / Capacity	Gewicht / Weight	Markering	A	B	C
Article code	ton	kg	Marking			
YE.8.051.06	1.60	1.1	G8 051-06	120	70	14
YE.8.051.08	2.80	2.2	G8 051-08	140	80	17
YE.8.051.10	4.20	4.4	G8 051-10	160	95	22
YE.8.051.13	7.50	7.4	G8 051-13	190	110	25
YE.8.051.16	11.20	12.6	G8 051-16	230	130	32

6 Specificaties / Specifications				Afmetingen / Dimensions (mm)		
Artikel nummer	Capaciteit / Capacity	Gewicht / Weight	Markering	A	B	C
Article code	ton	kg	Marking			
YE.8.052.06	2.35	2.6	G8 052-06	135	75	19
YE.8.052.08	4.25	5.2	G8 052-08	160	90	23
YE.8.052.10	6.70	9.4	G8 052-10	180	100	27
YE.8.052.13	11.20	16.7	G8 052-13	200	110	33
YE.8.052.16	17.00	26.4	G8 052-16	260	140	36



Specificaties / Specifications		Afmetingen / Dimensions (mm)			
Capaciteit / Capacity	Gewicht / Weight	A	B	C	D
ton	kg				
1.12	0.3	18	88	8	9
2.00	0.7	24	116	12	12
3.15	1.4	30	145	12	15
5.30	2.4	37	178	15	18
8.00	4.5	45	216	19	22
12.50	9.0	58	278	24	28