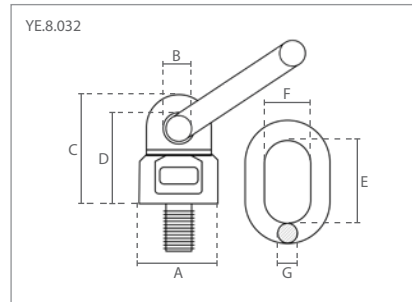
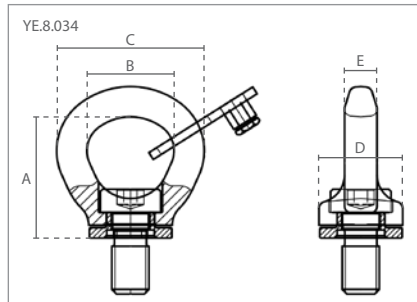




Grade 80 Toebehoren volgens EN 1677 / Grade 80 Accessories according to EN 1677

38. Draaibare oogbouten / Adjustable eye bolts
39. Wartel oogbouten / Swivel lifting eyes



38 Specificaties / Specifications				Afmetingen / Dimensions (mm)					
Artikel nummer	Capaciteit / Capacity	Capaciteit / Capacity	Gewicht / Weight	M	A	B	C	D	E
Article code	(0°) ton	(90°) ton	kg						
YE.8.034.08	0.80	0.30	0.1	M8x12	38	26	46	25	8
YE.8.034.10	1.00	0.40	0.1	M10x14	38	26	46	25	8
YE.8.034.12	2.00	0.75	0.2	M12x17	44	32	54	33	10
YE.8.034.16	4.00	1.50	0.4	M16x24	52	38	64	36	14
YE.8.034.20	6.00	2.30	0.7	M20x30	63	45	79	48	21
YE.8.034.24	8.00	3.20	1.1	M24x35	74	52	92	53	21
YE.8.034.30	12.00	4.50	2.1	M30x45	92	65	118	68	24
YE.8.034.36	16.00	7.00	4.0	M36x57	105	76	136	82	30

39 Specificaties / Specifications				Afmetingen / Dimensions (mm)							
Artikel nummer	Capaciteit / Capacity	Capaciteit / Capacity	Gewicht / Weight	M	A	B	C	D	E	F	G
Article code	(0°) ton	(90°) ton	kg								
YE.8.032.08.13	0.60	0.30	0.45	M8x13	36	17	51	41	55	30	14
YE.8.032.10	1.00	0.50	0.45	M10x18	36	17	51	41	55	30	14
YE.8.032.12	1.00	0.50	0.46	M12x18	36	17	51	41	55	30	14
YE.8.032.14	2.24	1.12	0.47	M14x20	36	17	51	41	55	30	14
YE.8.032.16	2.24	1.12	0.49	M16x20	36	17	52	42	55	30	14
YE.8.032.20	4.00	2.00	0.99	M20x30	50	19	68	56	70	35	16
YE.8.032.24	6.30	3.15	1.33	M24x30	57	22	78	66	85	40	18
YE.8.032.27	6.30	3.15	1.5	M27x35	57	22	78	66	85	40	20
YE.8.032.30	10.60	5.30	2.3	M30x35	66	24	97	81	85	40	20
YE.8.032.36	12.80	8.00	3.9	M36x50	80	28	109	90	115	50	22
YE.8.032.39	12.80	8.00	4.3	M39x90	80	28	109	90	115	50	22
YE.8.032.42	16.00	10.00	4.5	M42x50	80	28	109	90	115	50	25
YE.8.032.48	16.00	10.00	4.7	M48x50	80	28	109	90	115	50	25
YE.8.032.56	24.00	15.00	11.8	M56x84	117	42	246	214	152	70	32
YE.8.032.64	24.00	15.00	12.5	M64x95	117	42	257	214	152	70	32