

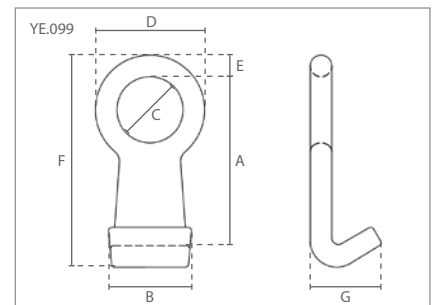
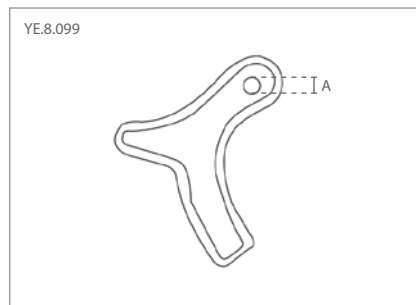
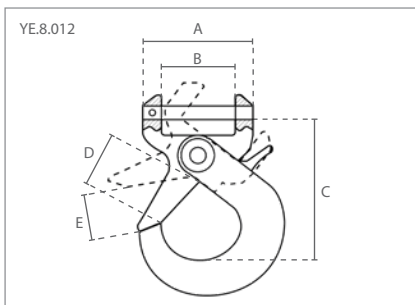


Grade 80 Toebehoren volgens EN 1677 / Grade 80 Accessories according to EN 1677

26. Veiligheids hijsbandhaken / Self-locking webbing sling hooks

27. Haken voor beton plaat / Concrete hooks

28. Vathaken / Barrel hooks



| 26 Specificaties / Specifications | | | Afmetingen / Dimensions (mm) | | | | |
|-----------------------------------|-----------------------|------------------|------------------------------|----|-----|----|----|
| Artikel nummer | Capaciteit / Capacity | Gewicht / Weight | A | B | C | D | E |
| Article code | ton | kg | | | | | |
| YE.8.012.2.2 | 2.20 | 1.9 | 98 | 65 | 130 | 50 | 26 |

| 27 Specificaties / Specifications | | | Afmetingen / Dimensions (mm) | | | | |
|-----------------------------------|-----------------------|------------------|------------------------------|--|--|--|--|
| Artikel nummer | Capaciteit / Capacity | Gewicht / Weight | A | | | | |
| Article code | ton | kg | | | | | |
| YE.8.099.01 | 1.80 | 2.1 | 20 | | | | |

| 28 Specificaties / Specifications | | | Afmetingen / Dimensions (mm) | | | | | | |
|-----------------------------------|-----------------------|------------------|------------------------------|----|----|----|----|-----|----|
| Artikel nummer | Capaciteit / Capacity | Gewicht / Weight | A | B | C | D | E | F | G |
| Article code | ton | kg | | | | | | | |
| YE.099.01 | 1.00 | 0.7 | 109 | 60 | 39 | 65 | 14 | 118 | 59 |